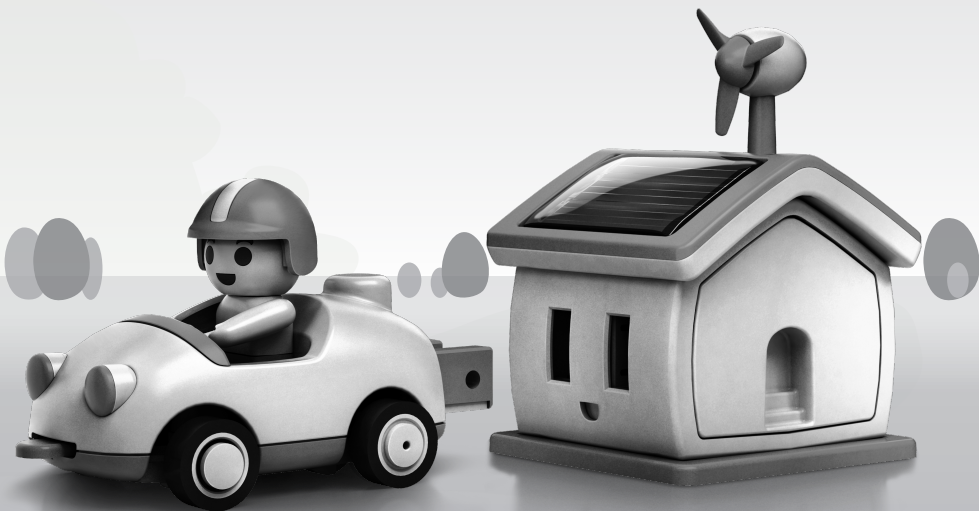


PLUG IN  
SOLAR RECHARGEABLE KIT

GREEN LIFE

Let's feel the future.



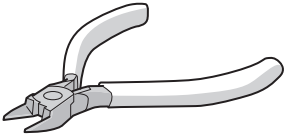
Assembly & Instruction
Manual

GREEN LIFE

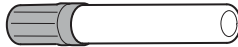
Product Introduction

Totally future, eco-friendly and green life. Let's feature and experience the future. It is easy to assemble & play on this kit. Just simply plug-in, solar energy converts into electric power for storage and application. The car shall be charging and moving forward after plug-in. This is a concept for future green life. Let's change and go green living ideas for future.

Tools You May Need



Diagonal Cutter



Permanent Marker (Black)

Mechanical Parts List



P1 1 pc
Pinion Gear
(yellow)



P4 1 pc
Round Shaft



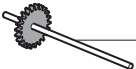
P5 2 pcs
Sponge



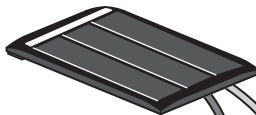
P2 1 pc
Gear
(white)



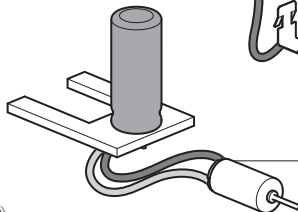
P6 4 pcs
Wheel



P3 1 pc
Gear With
Shaft



P7 1 pc
Solar Panel
With
Connector



P8 1 pc
Motor With
PC Board

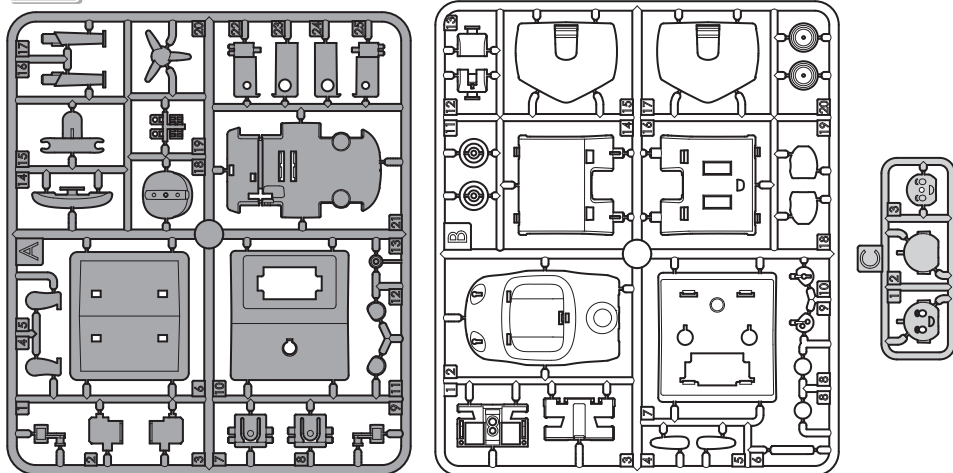


Don't connect the wires to the mains.

Plastic Parts

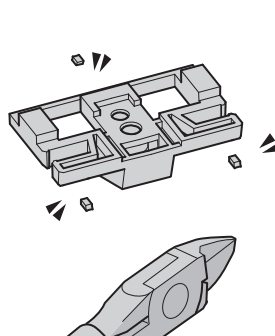
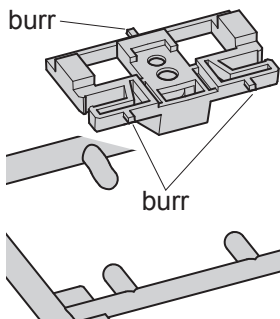
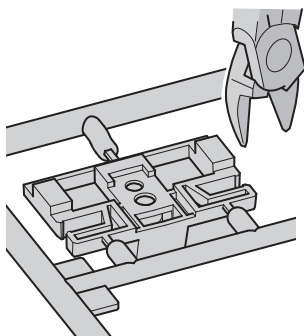
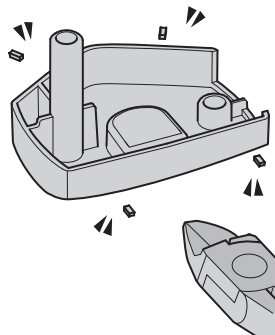
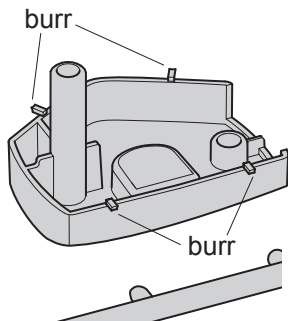
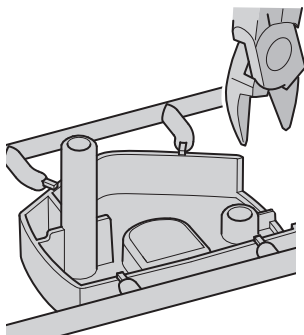


Cut the plastic parts when they are required. Do not cut them in advance.



Hints

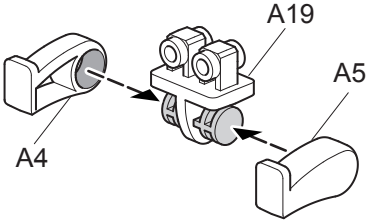
 Cut off the burrs before assembly.



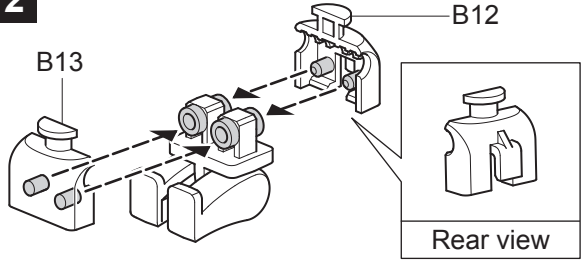
Figurine

Assembly

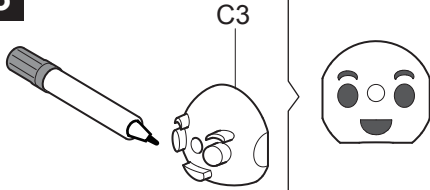
1



2

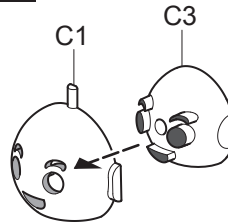


3

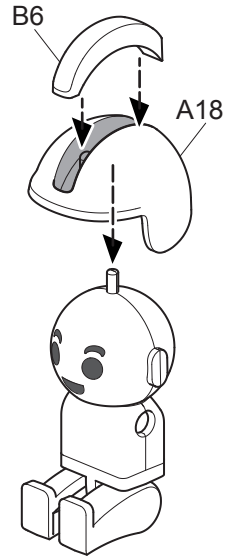


Make up the face by permanent marker.

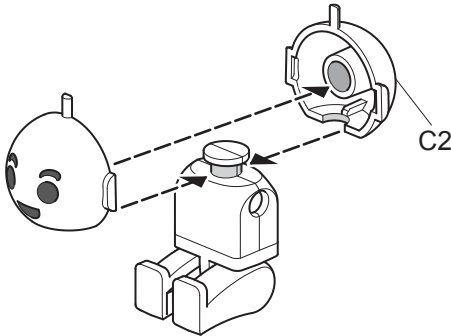
4



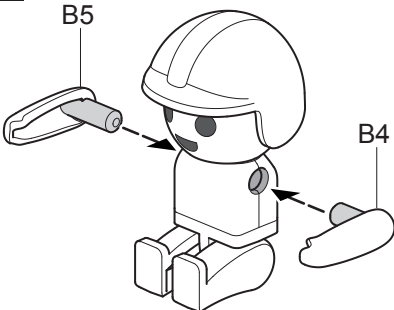
6



5

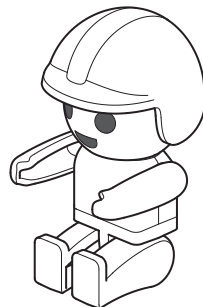


7

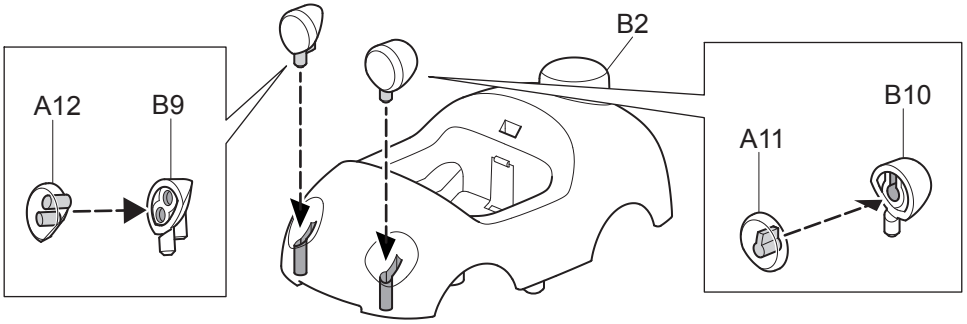


8

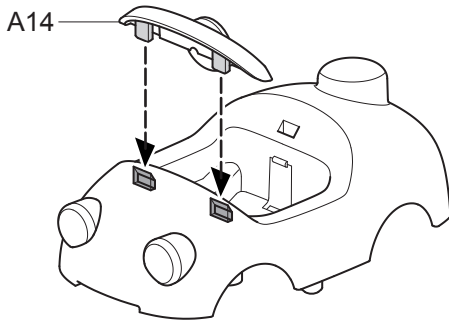
Completed



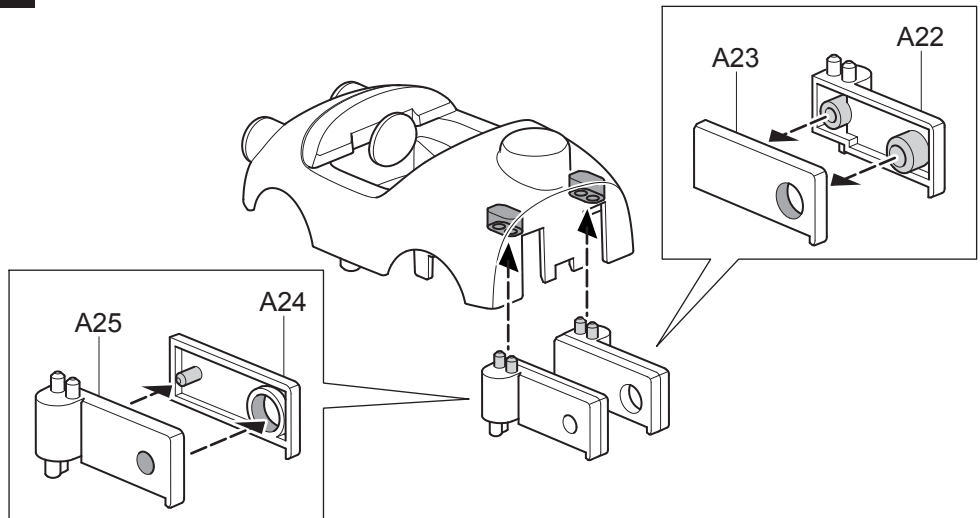
1



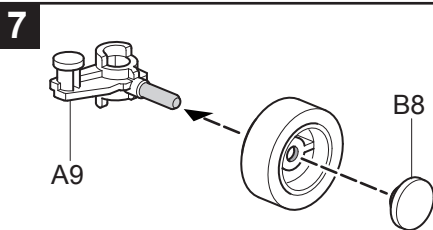
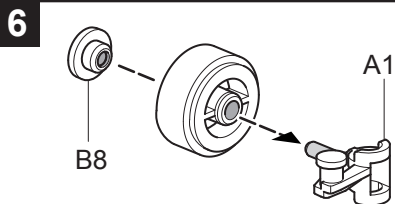
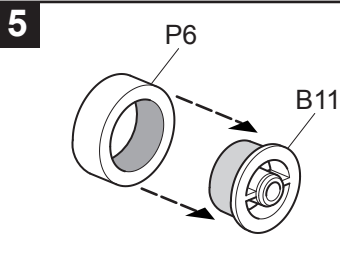
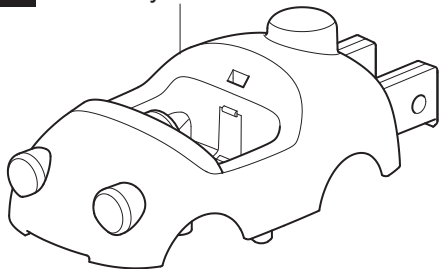
2



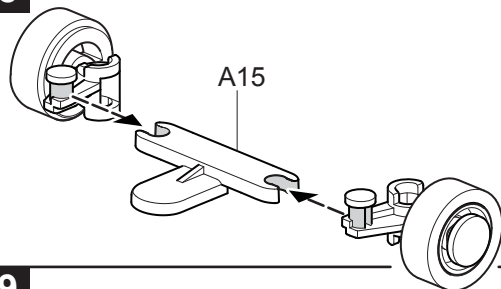
3



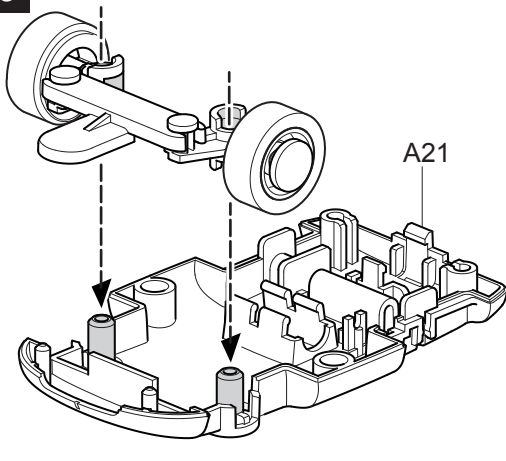
4 Car body unit



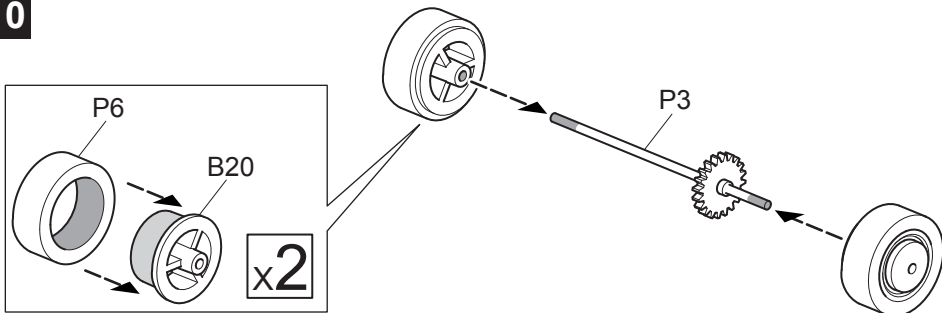
8



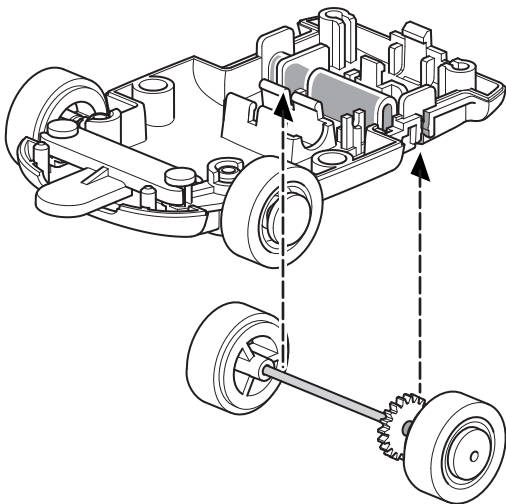
9



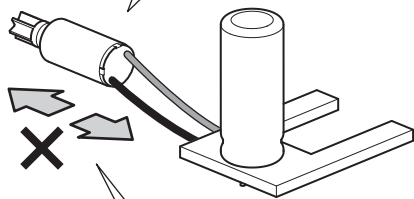
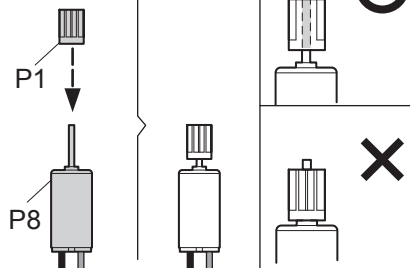
10



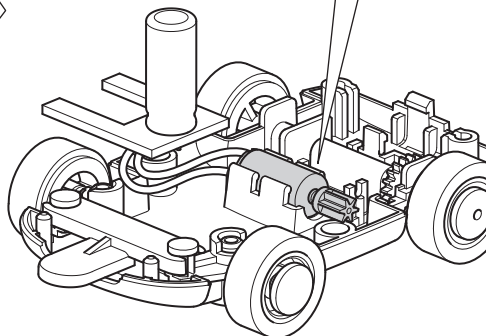
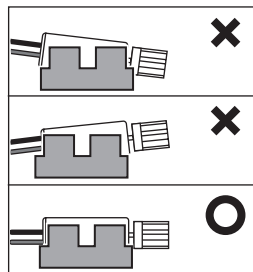
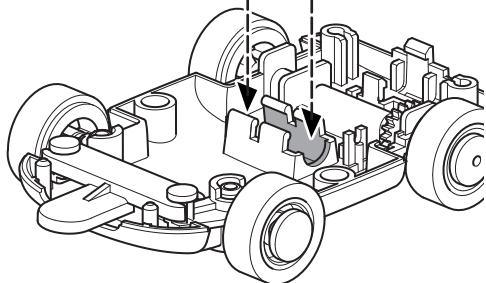
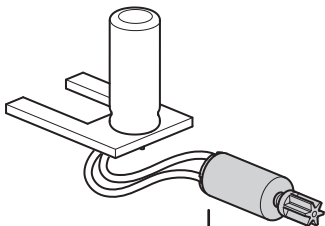
11



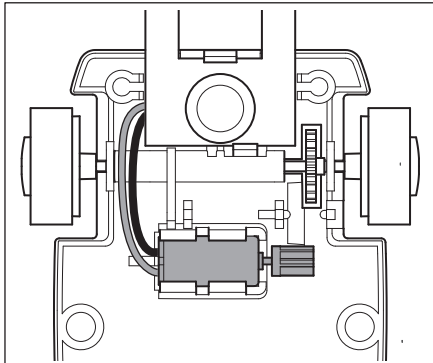
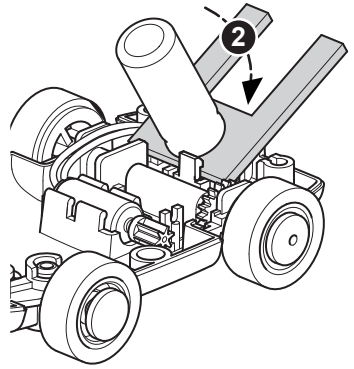
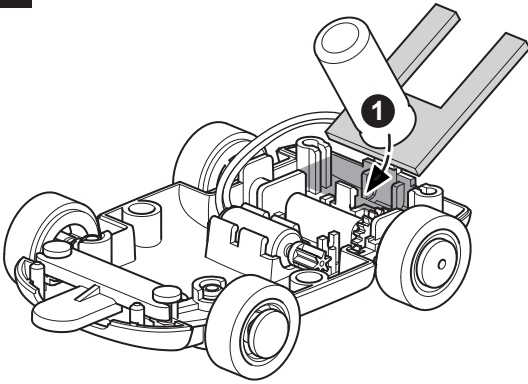
12



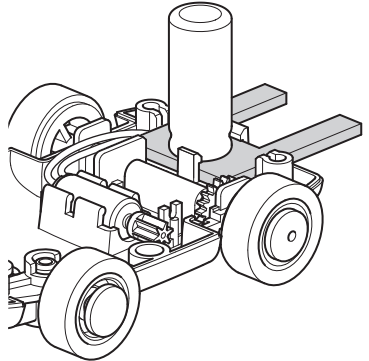
13



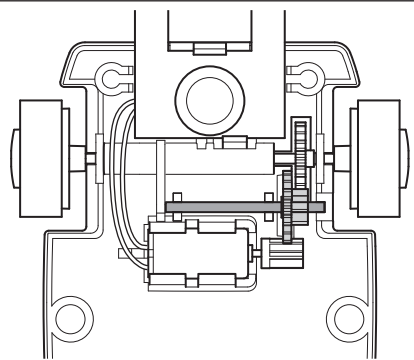
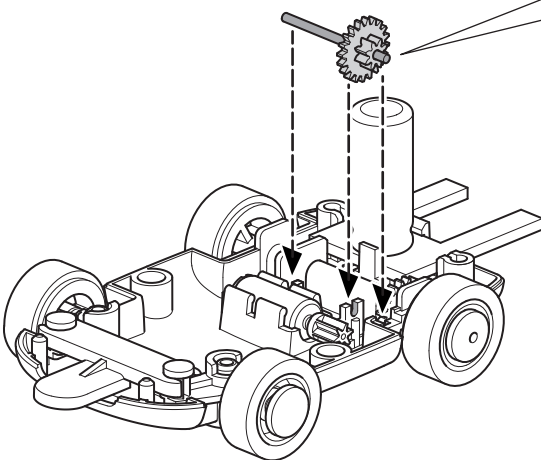
14



Top view



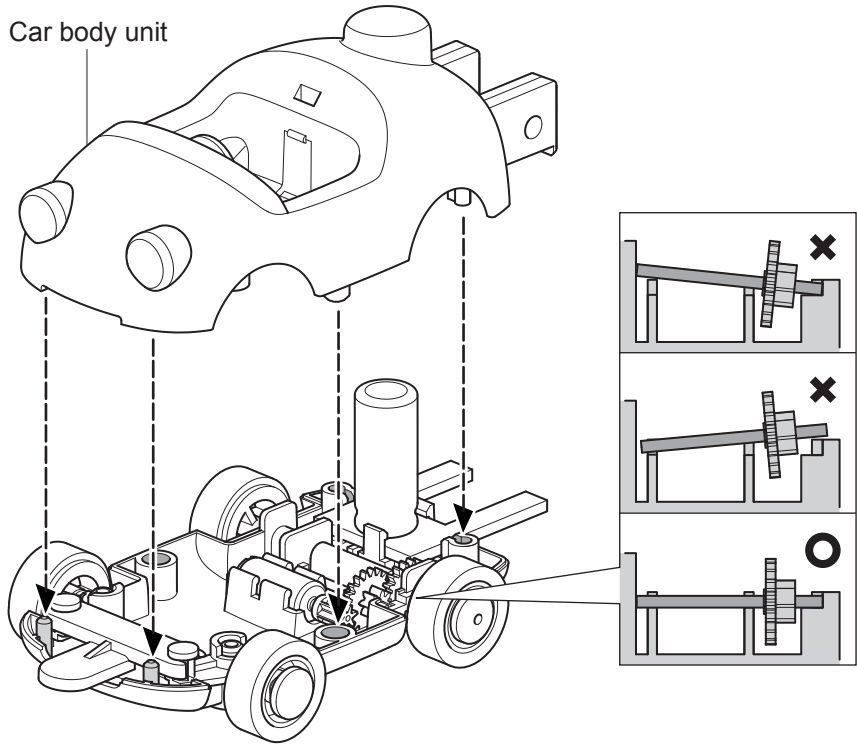
15



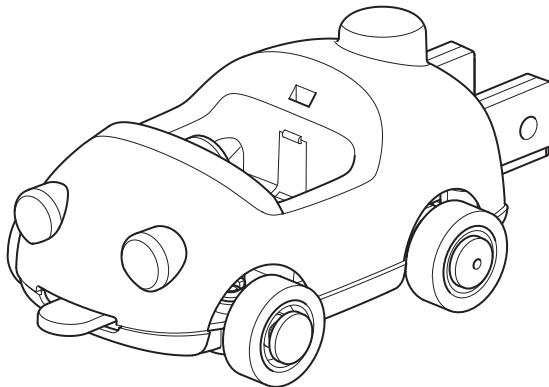
Top view

16

Car body unit

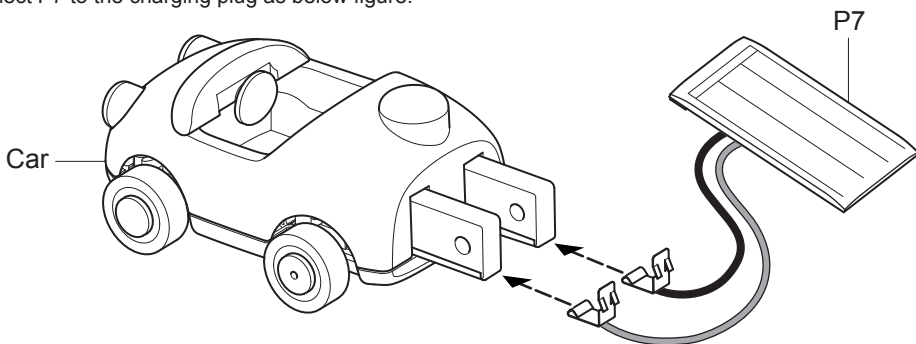


17 Completed



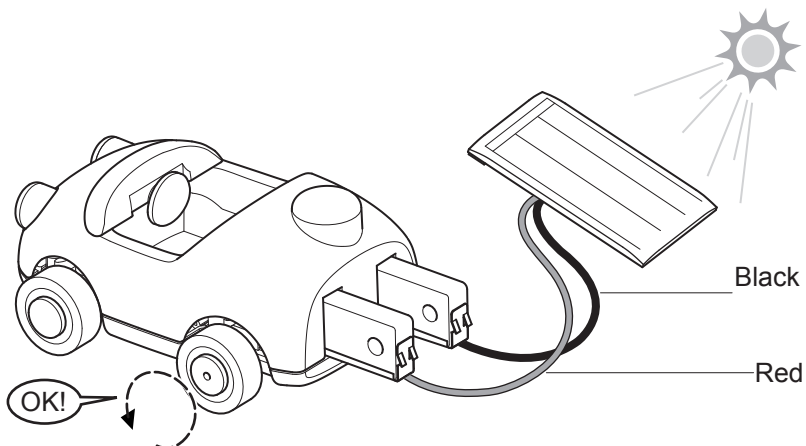
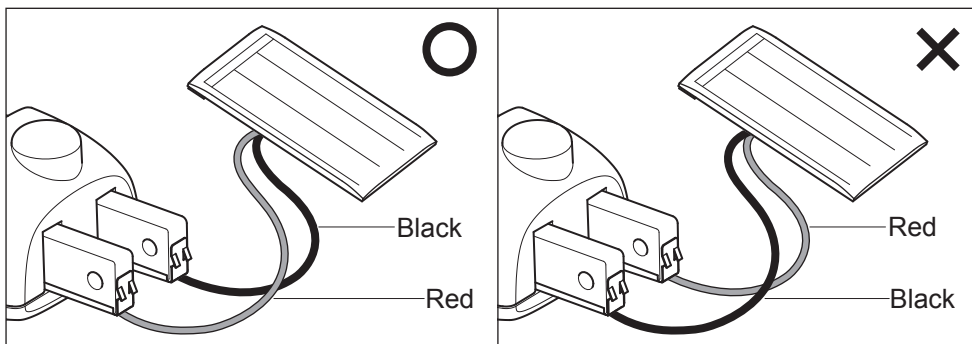
Testing & Trouble shooting

Connect P7 to the charging plug as below figure.

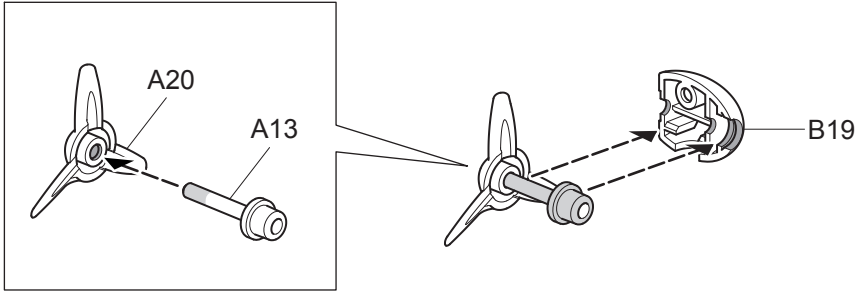


Make sure wire connection is correct, and have solar panel direct to sunlight for 1 min at least on a sunny day, or 3 min under a cloudy sky.

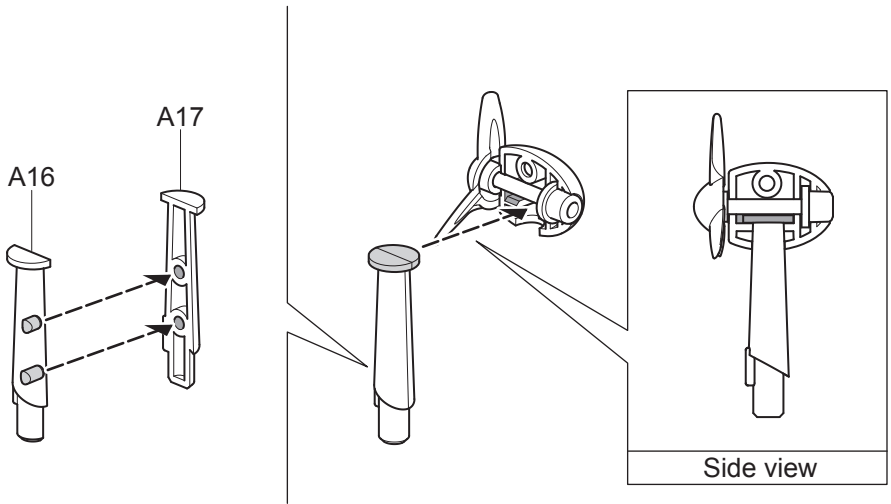
! If wheels turn, function is working fine. If wheels do not turn, check if wire connection is reverse or not, or back to Page 6 step **11** ~ **16** to re-check.



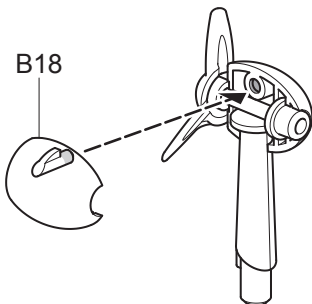
1



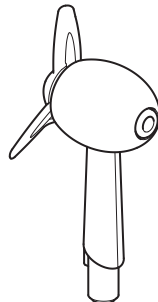
2



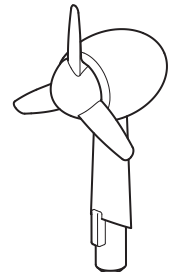
3



4 Wind Turbine

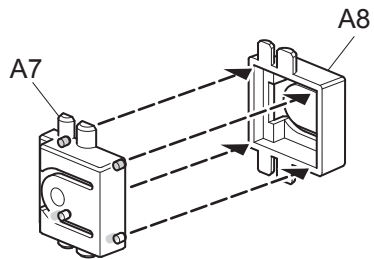


rear view

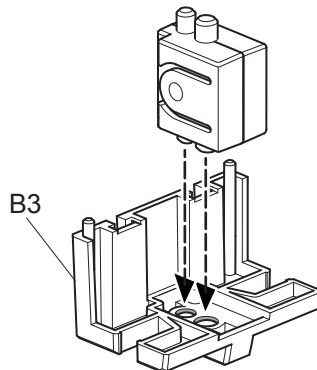


front view

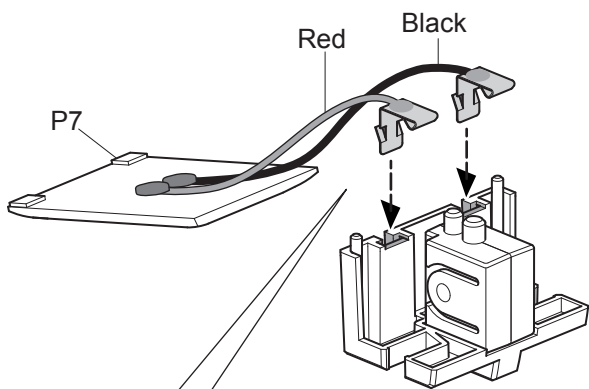
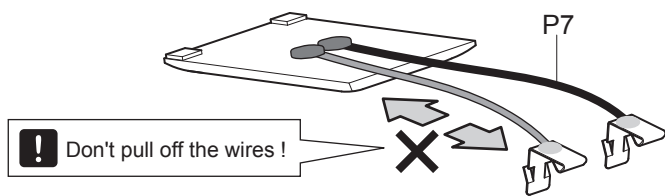
5



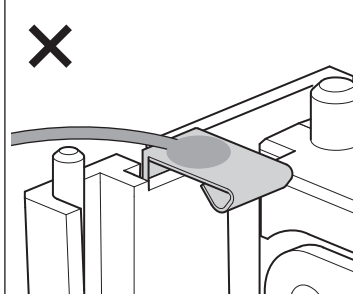
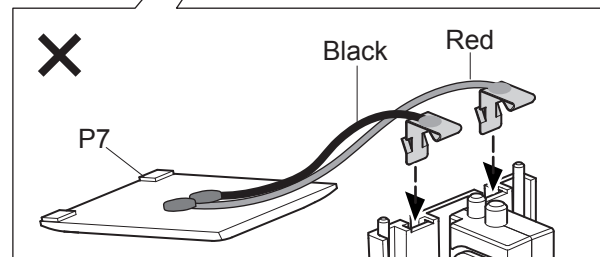
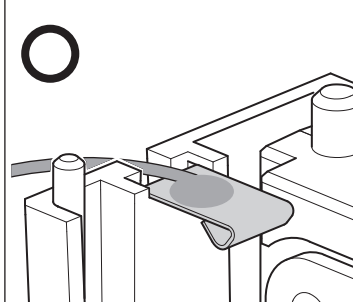
6



7

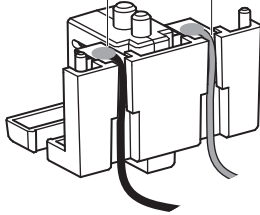


! Ensure to set the connectors to the bottom.



8

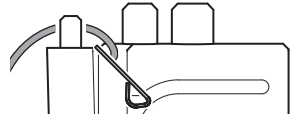
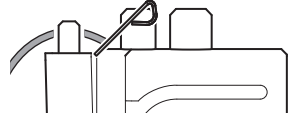
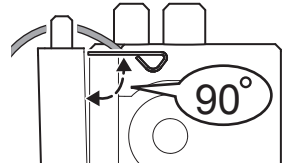
Black Red



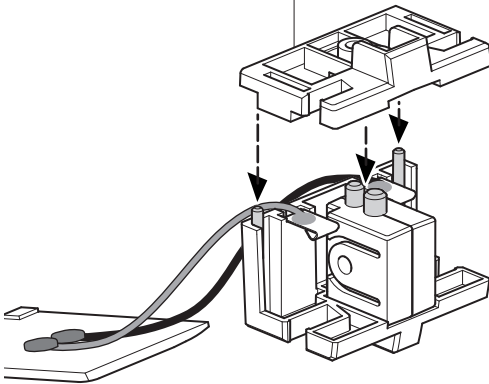
Rear view



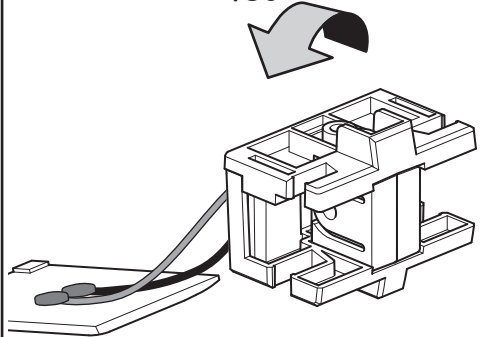
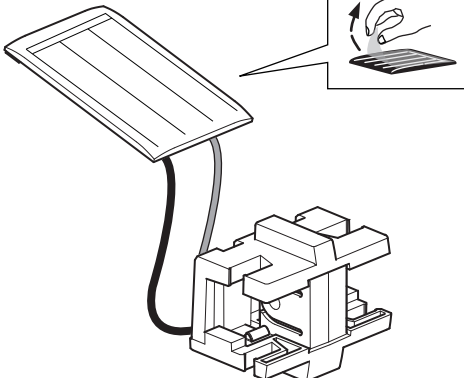
Connectors to be set to the bottom, any angles other than 90° of setting are incorrect.

**9**

B1

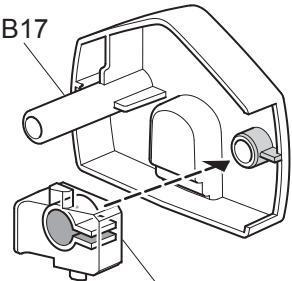
**10**

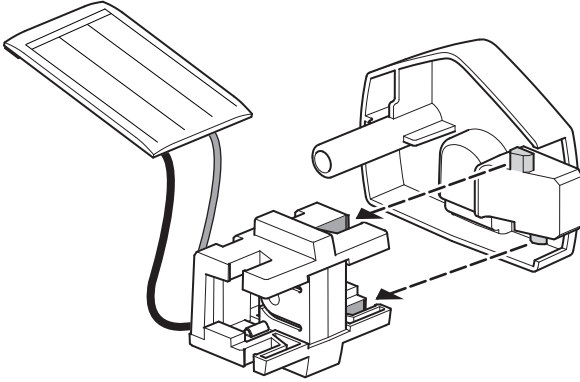
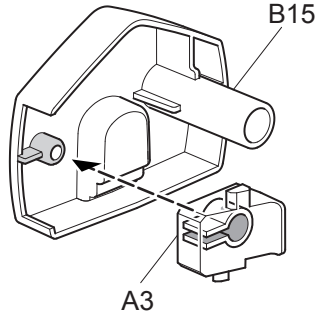
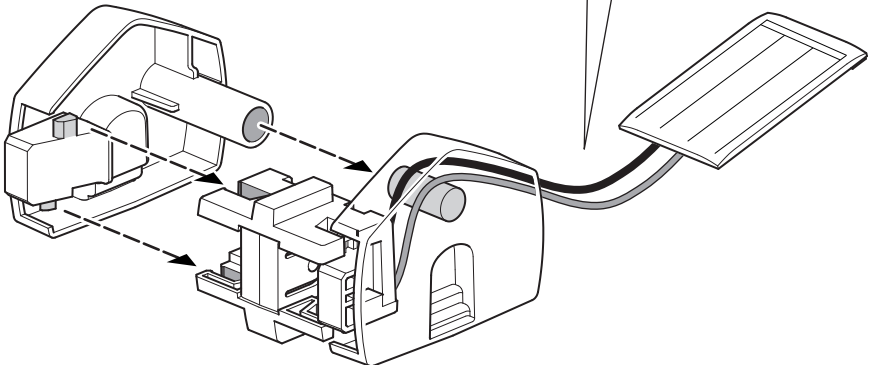
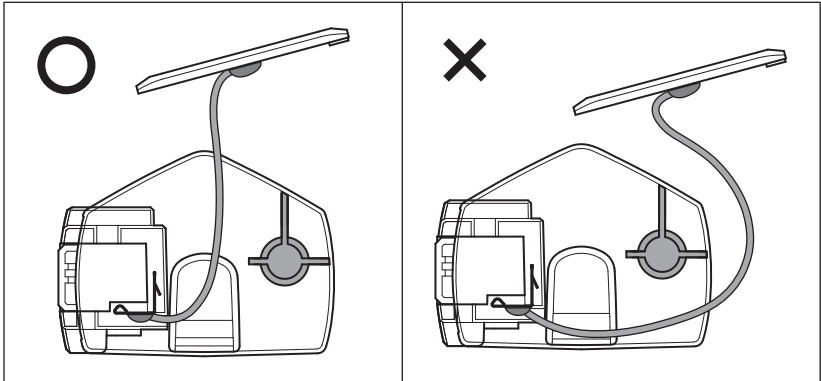
180°

**11****12**

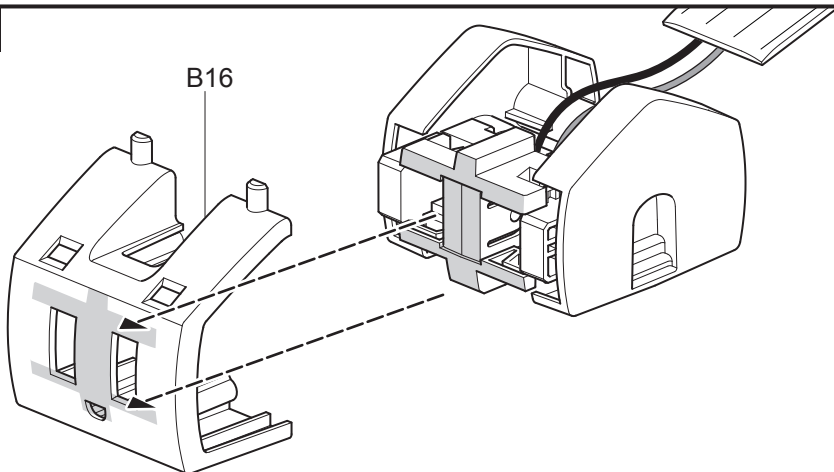
B17

A2

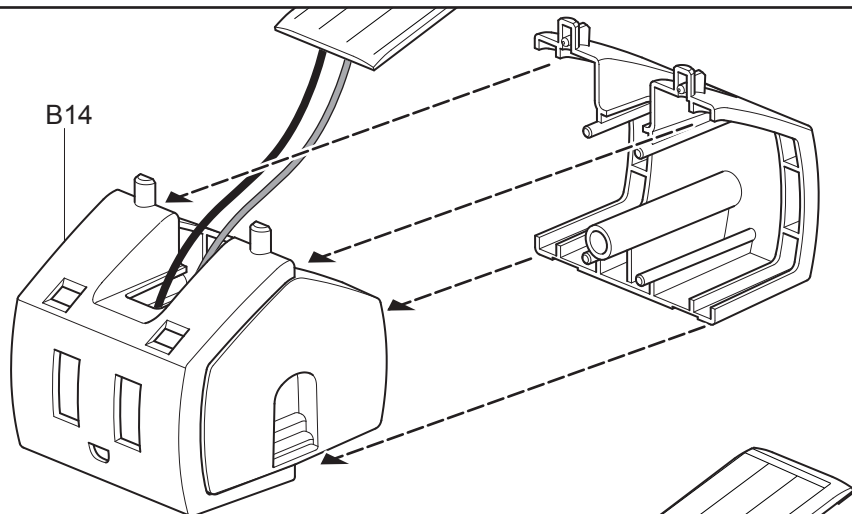


13**14****15**

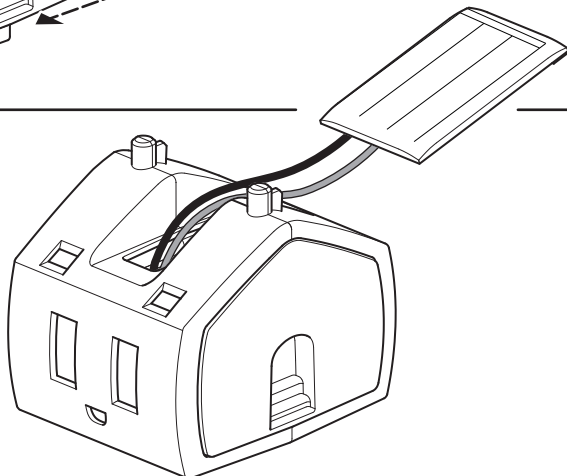
16



17

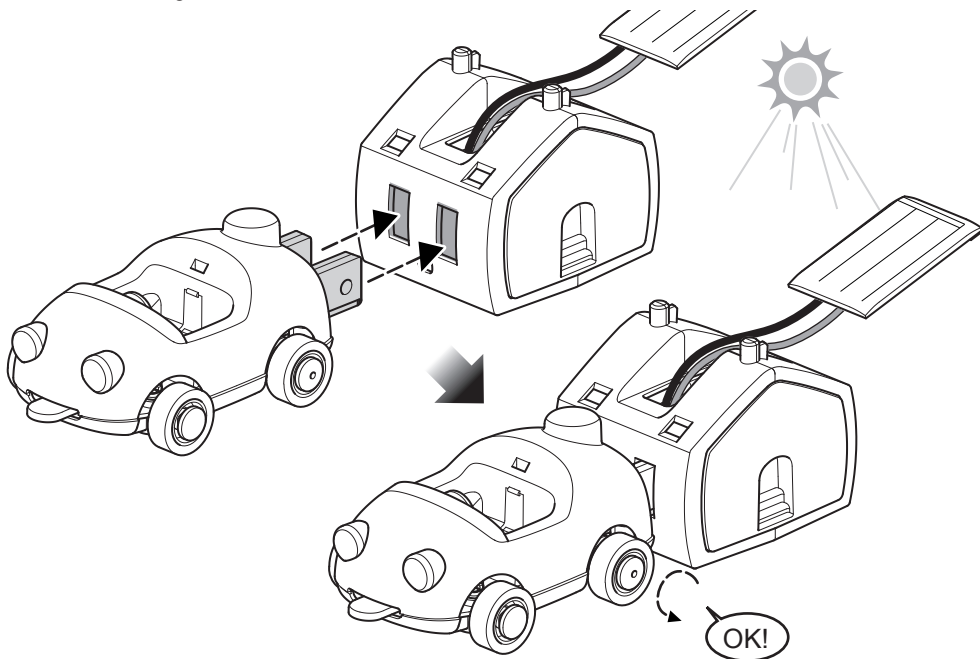


18



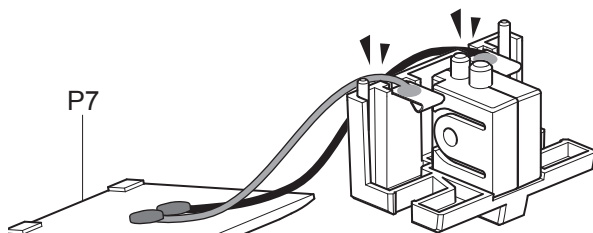
Testing & Trouble shooting

Have the car plug in the house and make solar panel under direct sunlight. If rear wheels turn forward, function is working fine.

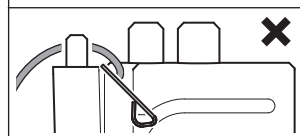
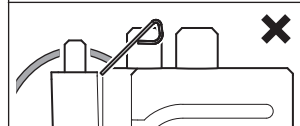
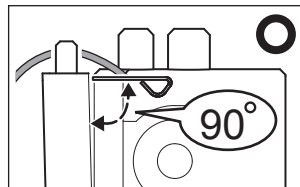


! If rear wheels don't run, back to page 11 and check if connectors on P7 are set in the right position or not.

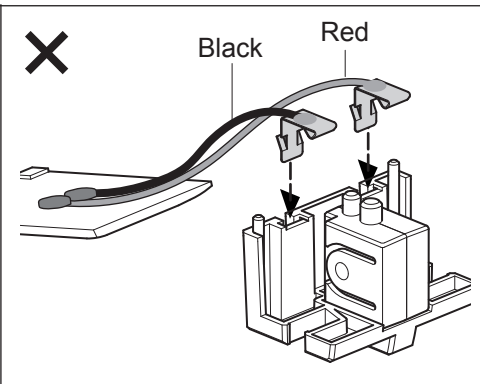
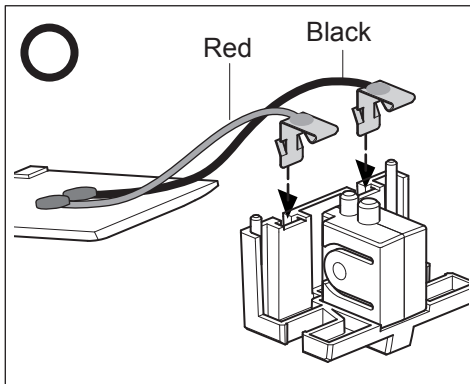
Connectors to be set to the bottom, any angles other than 90° of setting are incorrect.



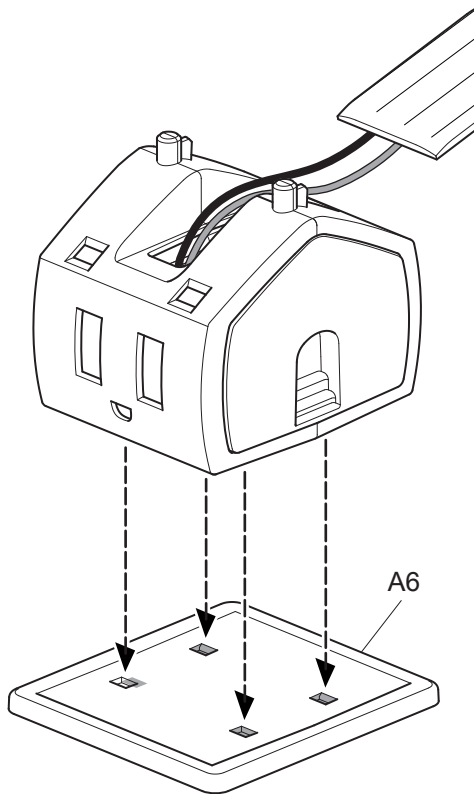
Ensure to set the connectors to the bottom.



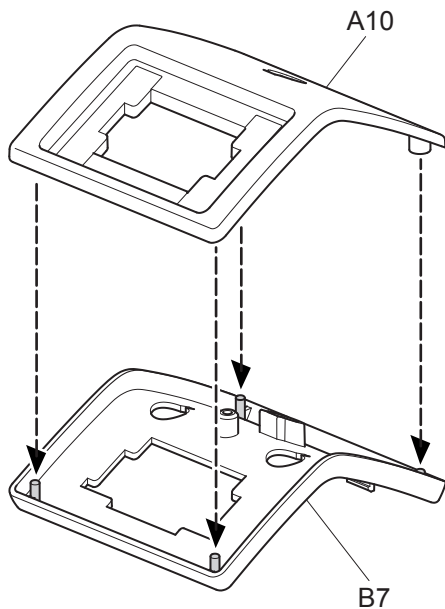
! If rear wheels turn backward, back to page 11 and check if wire connection is in the right position or not.



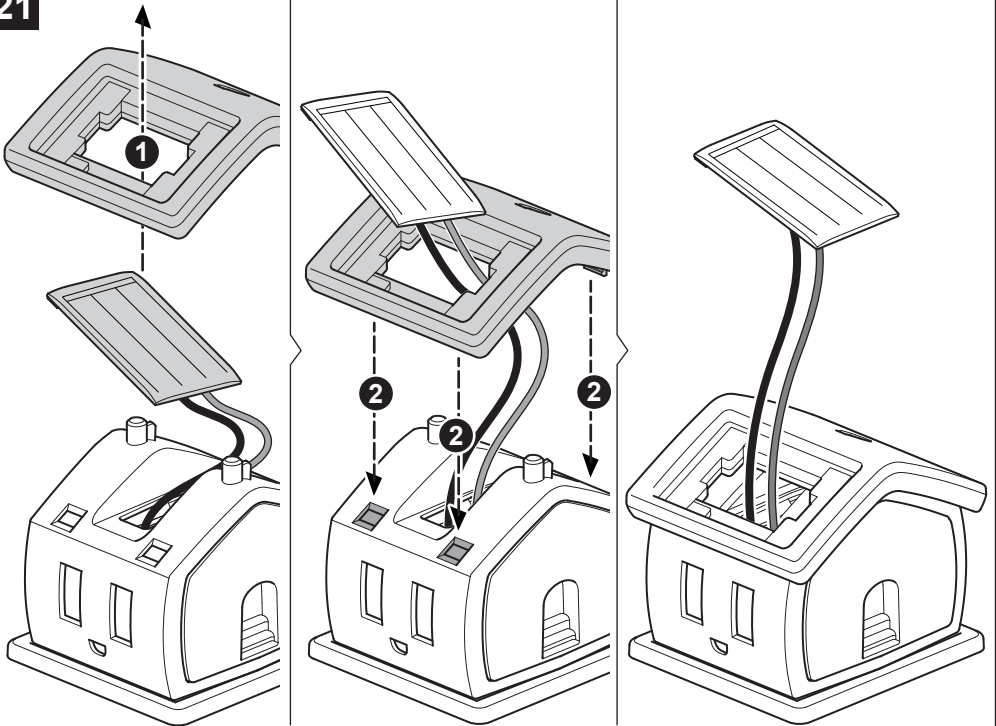
19



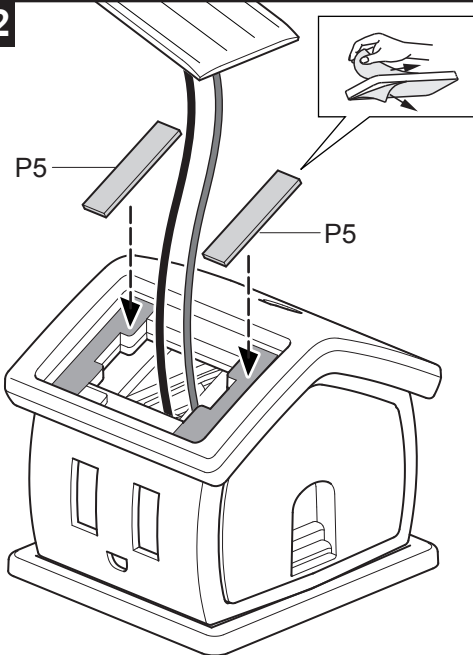
20



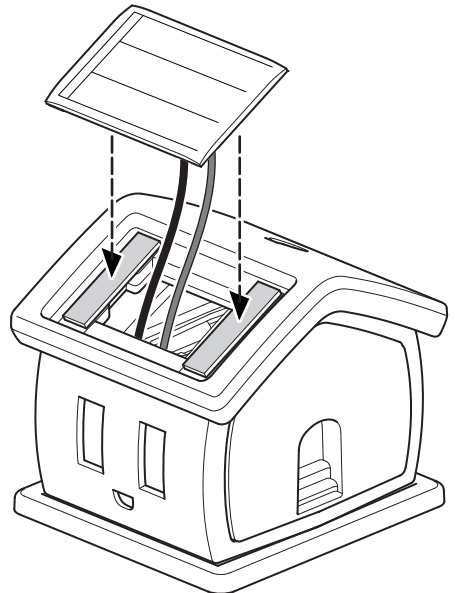
21



22

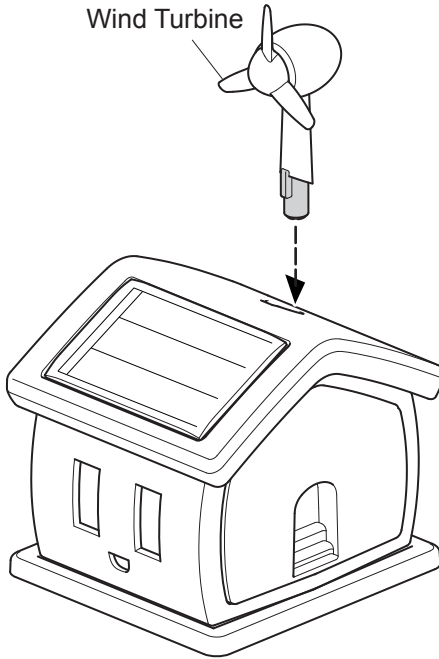


23

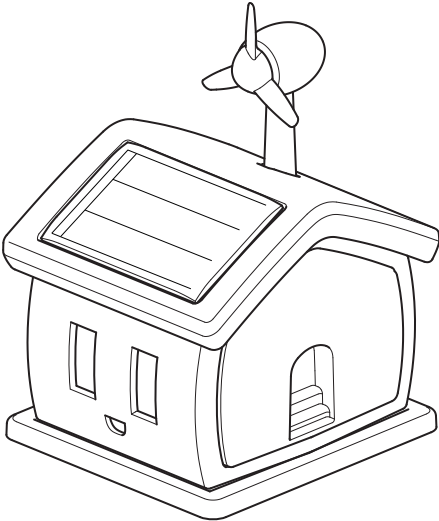


24

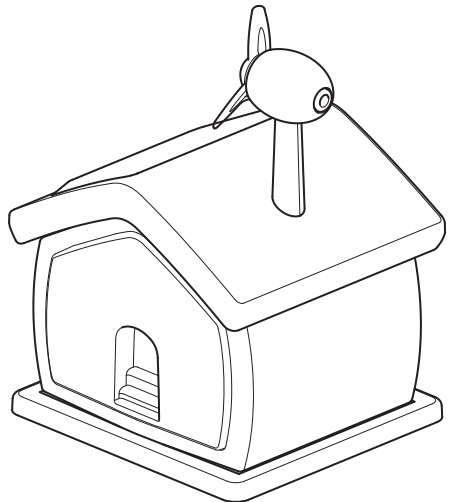
Wind Turbine



25 Completed



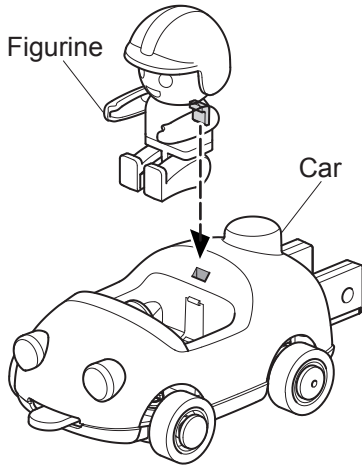
front view



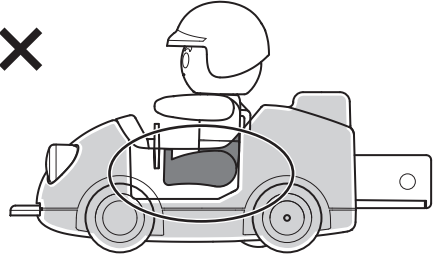
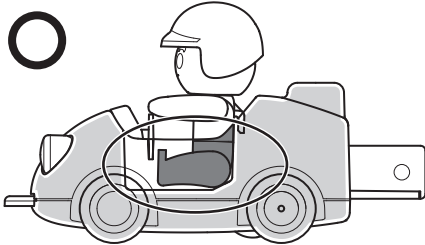
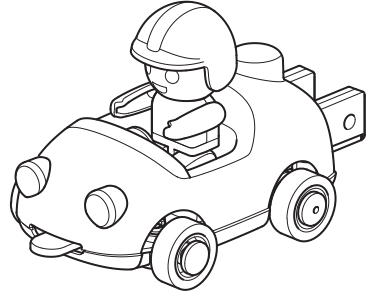
rear view

How to work

1

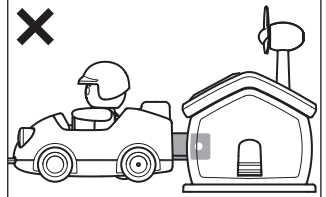
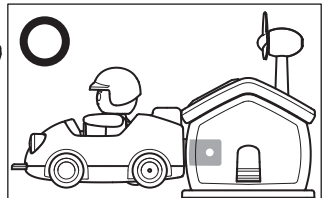
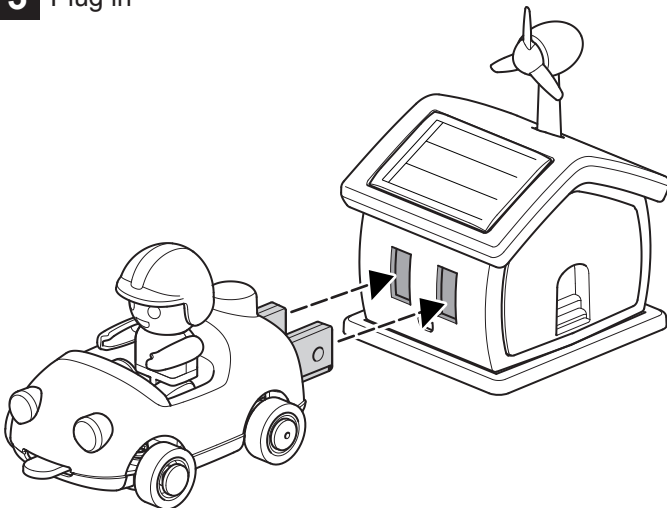


2

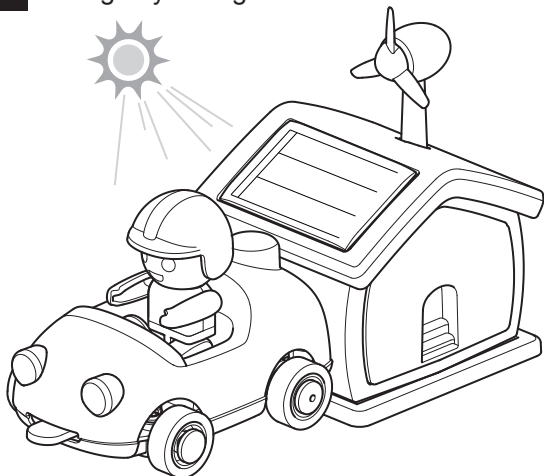




! Make sure the figurine to be sat to the bottom.

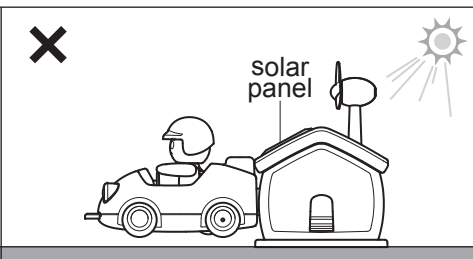
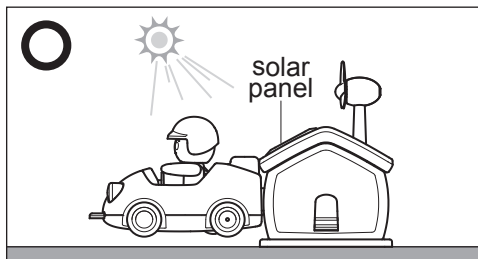
3 Plug in



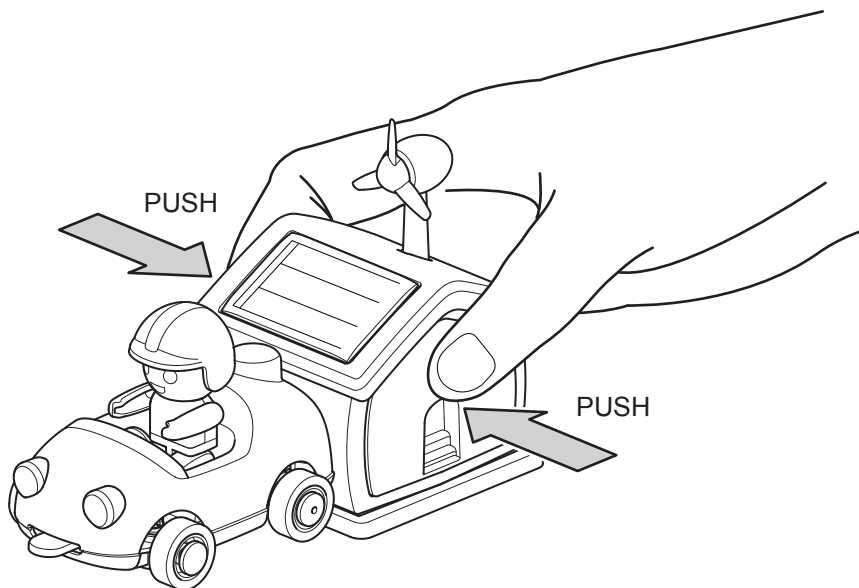
4 Charge by Sunlight



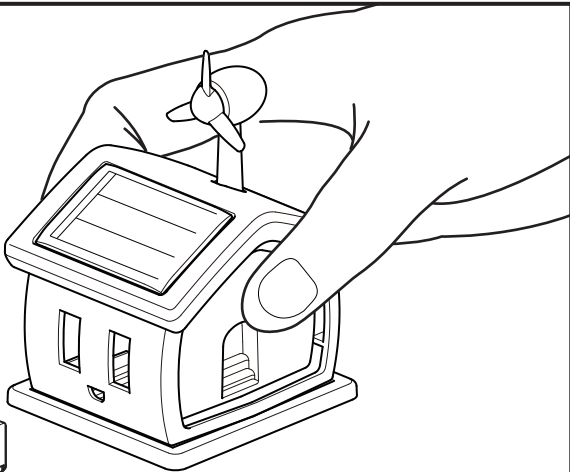
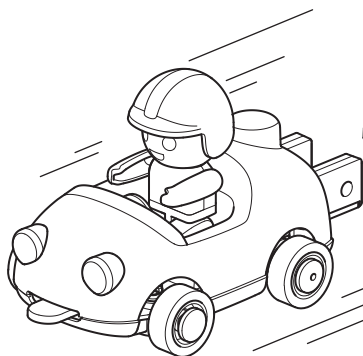
Weather conditions	Charging time
	approx. 3 min.
	approx. 10 min. & up



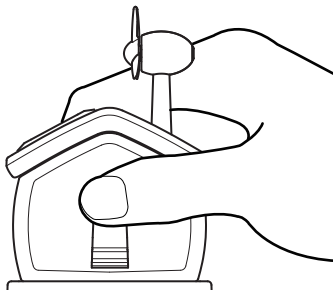
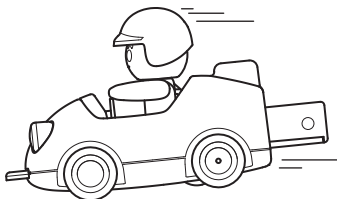
5



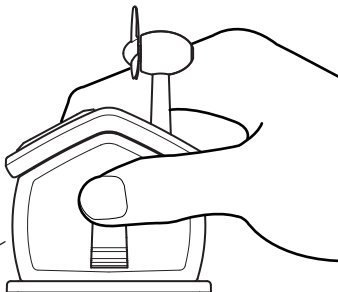
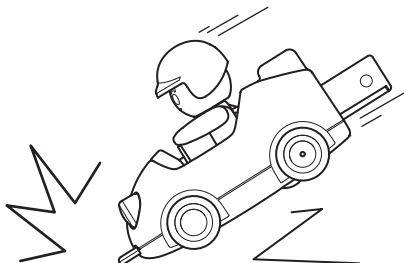
6 Running



O

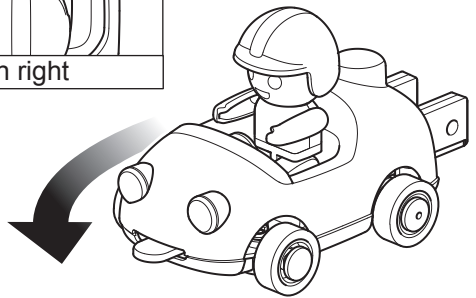
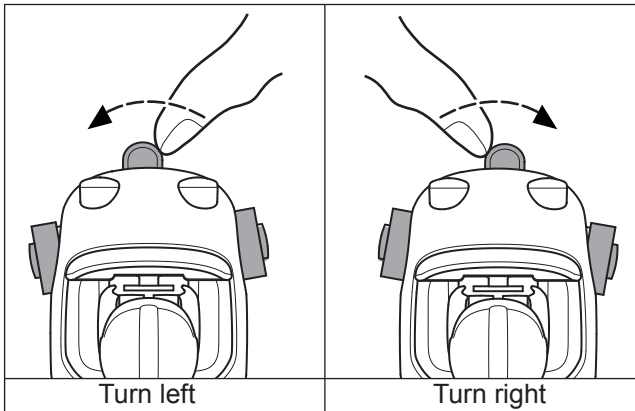


X



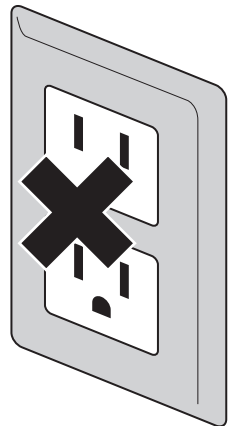
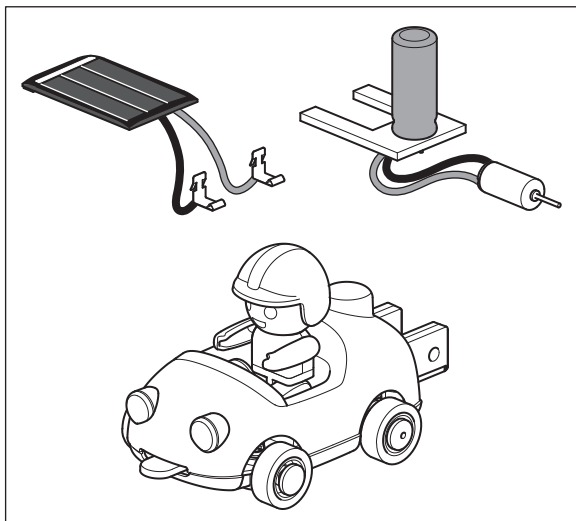
! Don't keep the house away from the ground.

7 Turning



Attention !

! Charging plug is prohibited to plug into wall outlet.



GREEN LIFE

Let's feel the future.



Copyright © 2013 EK JAPAN CO.,LTD. All rights reserved.

4350006901