

②5 高輝度 チップLED(青色・3528サイズ)

LK-1BL

3.5x2.8x1.9mm Blue Top SMD

OSUB51B1S-IJ

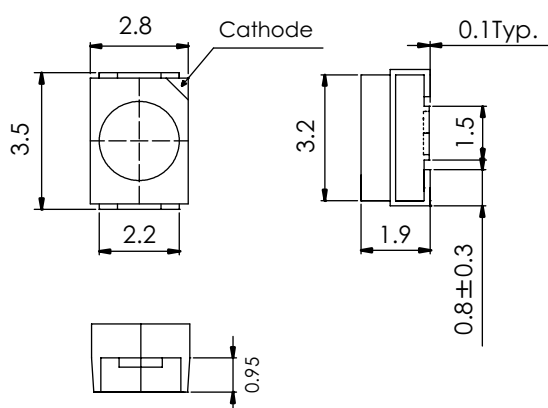
### ■ Features

- High Power SMDs
- 3.5x2.8x1.9mm Standard Directivity
- Water Clear Type
- Superior Weather-resistance
- UV Resistant Epoxy

### ■ Applications

- Automotive Dashboard Lighting
- Traffic Signal Lamp
- Back Lighting

### ■ Outline Dimension



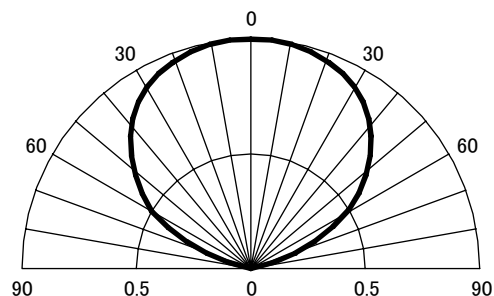
### ■ Absolute Maximum Rating

(Ta=25°C)

Item	Symbol	Value	Unit
DC Forward Current	I <sub>F</sub>	30	mA
Pulse Forward Current *	I <sub>FP</sub>	100	mA
Reverse Voltage	V <sub>R</sub>	5	V
Power Dissipation	P <sub>D</sub>	120	mW
Operating Temperature	T <sub>opr</sub>	-30~+80	°C
Storage Temperature	T <sub>stg</sub>	-30~+100	°C
Lead Soldering Temperature	T <sub>sol</sub>	260°C/3Sec	-

\* Pulse width Max.10ms Duty ratio max 1/10

### ■ Directivity



### ■ Electrical-Optical Characteristics

(Ta=25°C)

Item	Symbol	Condition	Min.	Typ.	Max.	Unit
DC Forward Voltage	V <sub>F</sub>	I <sub>F</sub> =20mA	2.8	3.3	3.8	V
DC Reverse Current	I <sub>R</sub>	V <sub>R</sub> =5V	-	-	10	μA
Dom. Wavelength	λ <sub>D</sub>	I <sub>F</sub> =20mA	465	470	475	nm
Luminous Intensity	I <sub>V</sub>	I <sub>F</sub> =20mA	330	500	750	mcd
50% Power Angle	2θ <sub>1/2</sub>	I <sub>F</sub> =20mA	-	120	-	deg