

②4 高輝度 チップLED(白色・3528サイズ)

LK-1WH

3.5x2.8x1.9mm White Top SMD

OSPW51B1S-JK

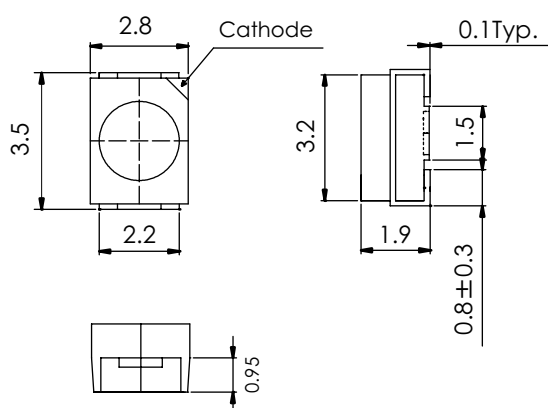
■ Features

- 3.5x2.8x1.9mm Standard Directivity
- Superior Weather-resistance
- UV Resistant Epoxy
- Water Clear Type
- RoHS Compliant

■ Applications

- General Purpose Indicators
- Small Area Illuminations
- Back Lighting

■ Outline Dimension



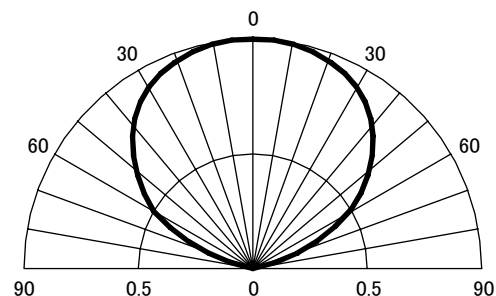
■ Absolute Maximum Rating

(Ta=25°C)

Item	Symbol	Value	Unit
DC Forward Current	I_F	30	mA
Pulse Forward Current *	I_{FP}	100	mA
Reverse Voltage	V_R	5	V
Power Dissipation	P_D	120	mW
Operating Temperature	T_{opr}	-30~+80	°C
Storage Temperature	T_{stg}	-30~+100	°C
Lead Soldering Temperature	T_{sol}	260°C/3Sec	-

* Pulse width Max.10ms Duty ratio max 1/10

■ Directivity



■ Electrical-Optical Characteristics

(Ta=25°C)

Item	Symbol	Condition	Min.	Typ.	Max.	Unit
DC Forward Voltage	V_F	$I_F=20mA$	2.8	3.3	3.8	V
DC Reverse Current	I_R	$V_R=5V$	-	-	10	μA
Luminous Intensity	λ_D	$I_F=20mA$	500	750	1120	nm
Chromaticity	x	$I_F=20mA$	0.26	0.31	0.36	
Coordinate *	y	$I_F=20mA$	0.24	0.30	0.34	
50% Power Angle	$2\theta_{1/2}$	$I_F=20mA$	-	120	-	deg

* Please refer to CIE 1931 chromaticity diagram.