

高輝度 LED(青色・3mm)  
LK-3BL

3mm Blue LED  
OSUB3131A-NO

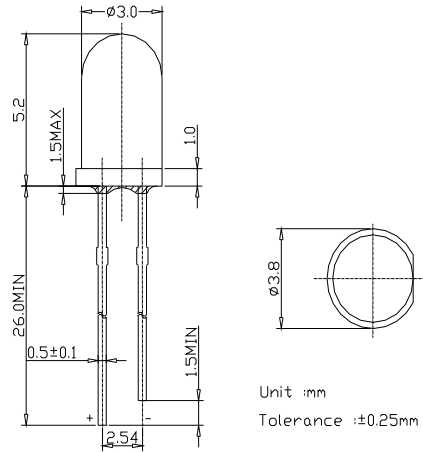
### Features

- High Power LEDs
- 3 $\phi$  Standard Directivity
- Superior Weather-resistance
- UV Resistant Epoxy
- RoHS compliant

### Applications

- Automotive Dashboard Lighting
- Back Lighting
- Consumer Products

### Outline Dimension

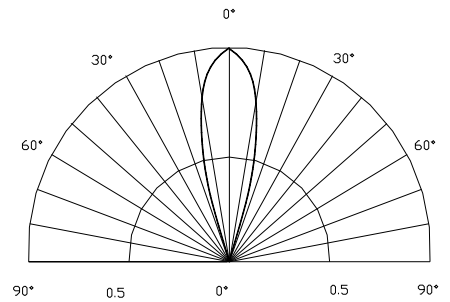


### Absolute Maximum Rating (Ta=25 )

| Item                       | Symbol    | Value      | Unit |
|----------------------------|-----------|------------|------|
| DC Forward Current         | $I_F$     | 30         | mA   |
| Pulse Forward Current*     | $I_{FP}$  | 100        | mA   |
| Reverse Voltage            | $V_R$     | 5          | V    |
| Power Dissipation          | $P_D$     | 120        | mW   |
| Operating Temperature      | $T_{opr}$ | -30 ~ +80  |      |
| Storage Temperature        | $T_{stg}$ | -30 ~ +100 |      |
| Lead Soldering Temperature | $T_{sol}$ | 260 /3sec  | -    |

\*Pulse width Max.10ms Duty ratio max 1/10

### Directivity



### Electrical -Optical Characteristics (Ta=25 )

| Item               | Symbol          | Condition  | Min. | Typ. | Max. | Unit    |
|--------------------|-----------------|------------|------|------|------|---------|
| DC Forward Voltage | $V_F$           | $I_F=20mA$ | 2.8  | 3.4  | 4.0  | V       |
| DC Reverse Current | $I_R$           | $V_R=5V$   | -    | -    | 30   | $\mu A$ |
| Domi. Wavelength   | $\lambda_D$     | $I_F=20mA$ | 465  | 470  | 475  | nm      |
| Luminous Intensity | $I_v$           | $I_F=20mA$ | 2180 | 3000 | 4200 | mcd     |
| 50% Power Angle    | $2\theta_{1/2}$ | $I_F=20mA$ | -    | 30   | -    | deg     |

### LED & Application Technologies

Made in China  
Oct.2006