

超高輝度 LED (緑色・5mm)
LK-5PG

5mm Pure Green LED

OSPG5131A-PP

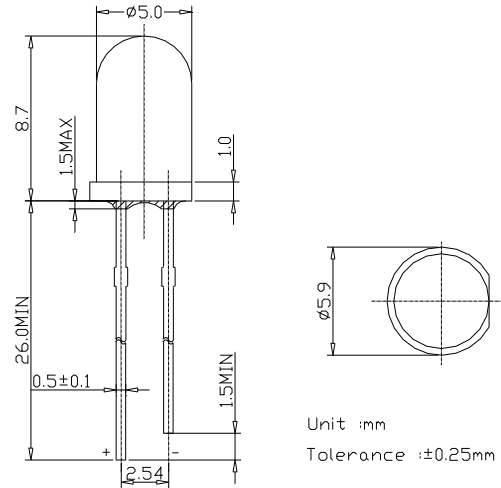
Features

High Power LEDs
5 ϕ Standard Directivity
Superior Weather-resistance
UV Resistant Epoxy
RoHS compliant

Applications

Automotive Dashboard Lighting
Back Lighting
Consumer Products

Outline Dimension



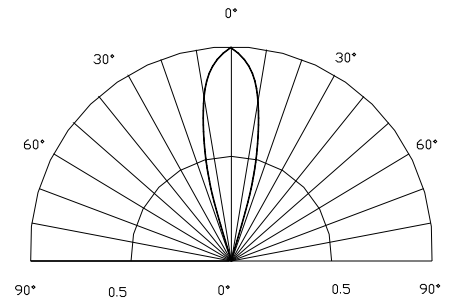
Absolute Maximum Rating

($T_a=25$)

Item	Symbol	Value	Unit
DC Forward Current	I_F	30	mA
Pulse Forward Current*	I_{FP}	100	mA
Reverse Voltage	V_R	5	V
Power Dissipation	P_D	120	mW
Operating Temperature	T_{opr}	-30 ~ +80	
Storage Temperature	T_{stg}	-30 ~ +100	
Lead Soldering Temperature	T_{sol}	260 /3sec	-

*Pulse width Max.10ms Duty ratio max 1/10

Directivity



Electrical -Optical Characteristics

($T_a=25$)

Item	Symbol	Condition	Min.	Typ.	Max.	Unit
DC Forward Voltage	V_F	$I_F=20$ mA	2.8	3.4	4.0	V
DC Reverse Current	I_R	$V_R=5$ V	-	-	30	μ A
Domi. Wavelength	λ_D	$I_F=20$ mA	520	525	530	nm
Luminous Intensity	I_v	$I_F=20$ mA	4200	5000	5800	mcd
50% Power Angle	2 \times 1/2	$I_F=20$ mA	-	30	-	deg

LED & Application Technologies

Made in China
Oct.2006