

高輝度 LED(ピンク色・5mm)
LK-5PK

5mm Pink LED
OSPK5131A-NO

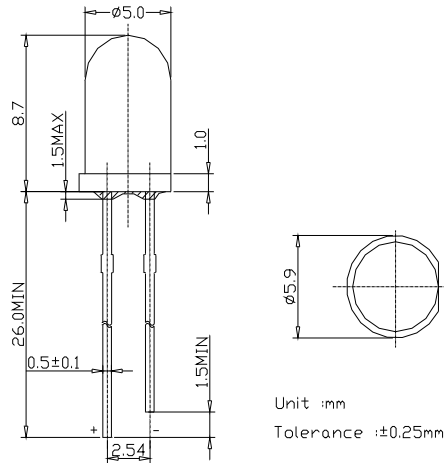
Features

- High Power LEDs
- 5mm Standard Directivity
- Superior Weather-resistance
- UV Resistant Epoxy
- RoHS compliant

Applications

- Electronic Signs and Signals
- Illuminations
- Back Lighting

Outline Dimension

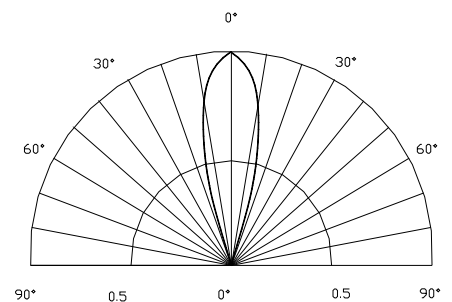


Absolute Maximum Rating (Ta=25 °C)

Item	Symbol	Value	Unit
DC Forward Current	I_F	30	mA
Pulse Forward Current*	I_{FP}	100	mA
Reverse Voltage	V_R	5	V
Power Dissipation	P_D	120	mW
Operating Temperature	T_{opr}	-30 ~ +80	
Storage Temperature	T_{stg}	-30 ~ +100	
Lead Soldering Temperature	T_{sol}	260 /5sec	-

*Pulse width Max.10ms Duty ratio max 1/10

Directivity



Electrical -Optical Characteristics (Ta=25 °C)

Item	Symbol	Condition	Min.	Typ.	Max.	Unit
DC Forward Voltage	V_F	$I_F=20mA$	2.8	3.4	4.0	V
DC Reverse Current	I_R	$V_R=5V$	-	-	10	μA
Luminous Intensity	I_v	$I_F=20mA$	2180	3000	4200	mcd
Chromaticity Coordinate*	x	$I_F=20mA$	-	0.35	-	
	y	$I_F=20mA$	-	0.15	-	
50% Power Angle	$2 \frac{1}{2}$	$I_F=20mA$	-	30	-	deg

*Please refer to CIE 1931 chromaticity diagram.

LED & Application Technologies

Made in China
Oct.2006