

高輝度 LED(黄緑色・5mm)  
LK-5YG

5mm Yellow Green LED

OSUG5131A-LM

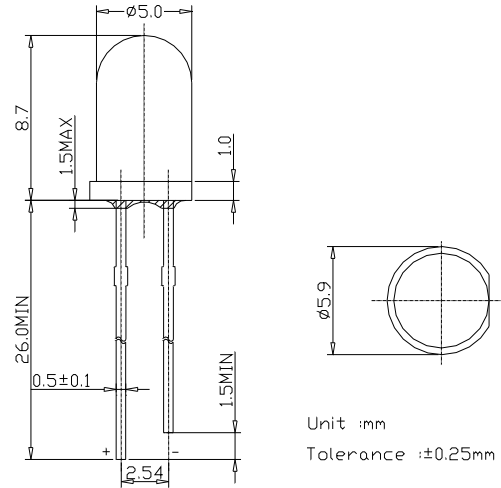
## Features

- High Power LEDs
- 5mm Standard Directivity
- Water clear Type
- Superior Weather-resistance
- RoHS compliant

## Applications

- Automotive Dashboard Lighting
- Back Lighting

## Outline Dimension



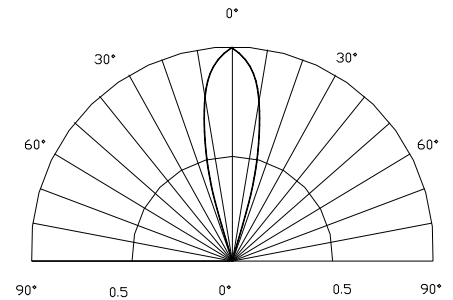
## Absolute Maximum Rating

( $T_a=25$  )

Item	Symbol	Value	Unit
DC Forward Current	$I_F$	50	mA
Pulse Forward Current*	$I_{FP}$	150	mA
Reverse Voltage	$V_R$	5	V
Power Dissipation	$P_D$	200	mW
Operating Temperature	$T_{opr}$	-30 ~ +85	
Storage Temperature	$T_{stg}$	-30 ~ +100	
Lead Soldering Temperature	$T_{sol}$	260 /5sec	-

\*Pulse width Max.10ms Duty ratio max 1/10

## Directivity



## Electrical -Optical Characteristics

( $T_a=25$  )

Item	Symbol	Condition	Min.	Typ.	Max.	Unit
DC Forward Voltage	$V_F$	$I_F=20$ mA	1.8	2.0	2.4	V
DC Reverse Current	$I_R$	$V_R=5$ V	-	-	10	$\mu$ A
Domi. Wavelength	$\lambda_D$	$I_F=20$ mA	565	570	575	nm
Luminous Intensity	$I_v$	$I_F=20$ mA	1120	1560	2180	mcd
50% Power Angle	$2\theta_{1/2}$	$I_F=20$ mA	-	30	-	deg

## LED & Application Technologies

Made in China Oct.2006

VER A.0