

電球型LED・8mm・1.5V用	LK-8WH2-1.5V 白色 (W5DK8B31F)
	LK-8RD2-1.5V 赤色 (5RPM8B31F)
	LK-8BL2-1.5V 青色 (B5SA8B31F)
	LK-8WH2-1.5V 電球色 (M5DK8B31F)
	LK-8YE2-1.5V 黄色 (5YPM8B31F)

E10 Round LED Screw Lamp DC1.2V

Descriptions:

- Long life, easy installation
- Voltages available **0.8~1.8VDC**
- LED model number: XXXX8B31F

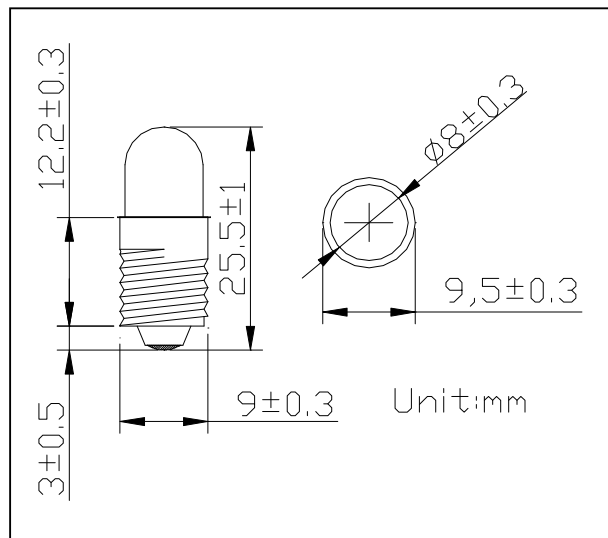
Features:

- Available in Red , Yellow ,Pure Green , Blue , Pure White, Warm White
- High temperature and environmental protection PA material for lamp holder
- Low power consumption
- Energy saving
- Eye protection, no stroboflash, no radiation
- Long life

Application:

- Dashboard Light
- Width-indicator Lamp
- Signal Light

Product Picture and Dimensions:



Device Selection Guide

Module No.	Color	Wavelength (Typ.)	Intensity / Per LED (Typ.)
W5DK8B31F	Pure White	X=0.27,y=0.28	25000mcd
M5DK8B31F	Warm White	X=0.44,y=0.41	14400mcd
B5SA8B31F	Blue	470nm	8000mcd
5RPM8B31F	Red	625nm	15000mcd
5YPM8B31F	Yellow	590nm	15000mcd
G5DA8B31F	Pure Green	525nm	25000mcd

Absolute Maximum Ratings(Ta=25°C)

Items	Symbol	Values	Units
Operating Supply Range (DC)	V _{idc}	1.8	V
Input Current (DC)	I _i	Red ,Yellow	145
		Pure White, Warm White, Blue, Pure Green	120
Power Dissipation	P _a	Red ,Yellow	0.26
		Pure White,Warm White, Blue, Pure Green	0.22
Operating Temperature	T _{ope}	-10~+50	DegC
Storage Temperature	T _{stg}	-20~+70	DegC

Typical Performance (Ta=25°C)

Items	Symbol	Min.	Typ.	Max.	Units
LED Module Power	P _m	Red ,Yellow		0.12	w
		Pure White,Warm White , Blue, Pure Green		0.08	
Input Voltage(DC)	V _i	0.8	1.2	1.8	V
Product Input Current	I _f	Red ,Yellow		25	mA
		Pure White, Warm White , Blue, Pure Green		25	
Beam Pattern	BP		30		Deg
Net Weight	Wei.		1.7		g